

# بِسْمِ اللّٰهِ الرَّحْمٰنِ الرَّحِیْمِ



دانشگاه علوم پزشکی  
و خدمات بهداشتی درمانی آستان قدس  
دانشگاه پزشکی



دانشگاه علوم پزشکی همدان  
مرکز تحقیقات فناوری  
مدیریت توسعه فناوری سلامت

## کارگاه‌های فناورانه

عنوان کارگاه	ساعت	مدرس
ایده پردازی و نگارش کسب و کار	۹ - ۱۰	دکتر قاسم آذریان
راه اندازی استارت‌آپ	۱۰ - ۱۱	دکتر قاسم آذریان
جستجوی ثبت اختراع	۱۱ - ۱۲	دکتر امیر طاهر خانی

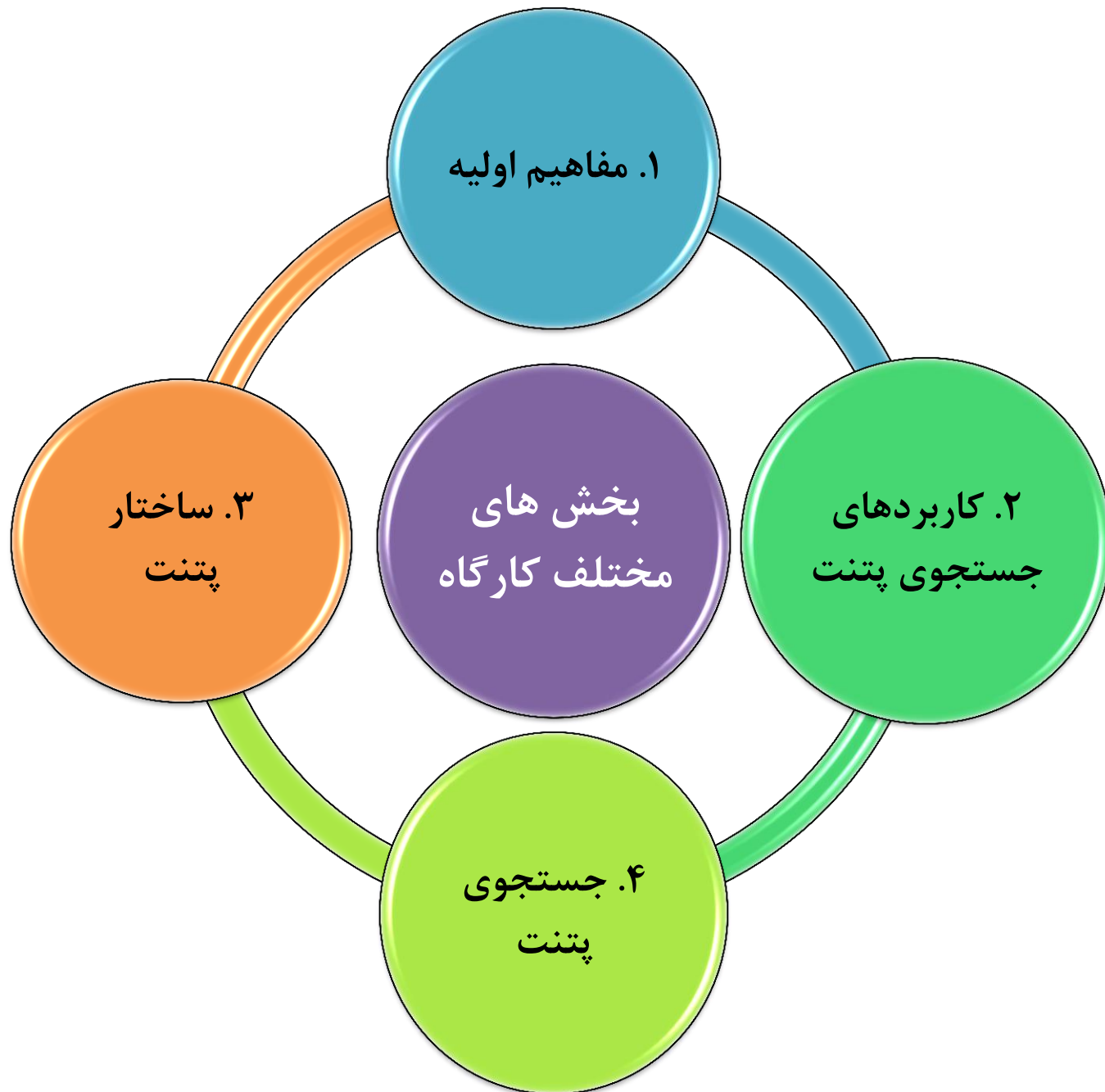


امیر طاهر خانی

عضو هیات علمی پژوهشی دانشگاه علوم پزشکی همدان

مرکز تحقیقات پزشکی مولکولی

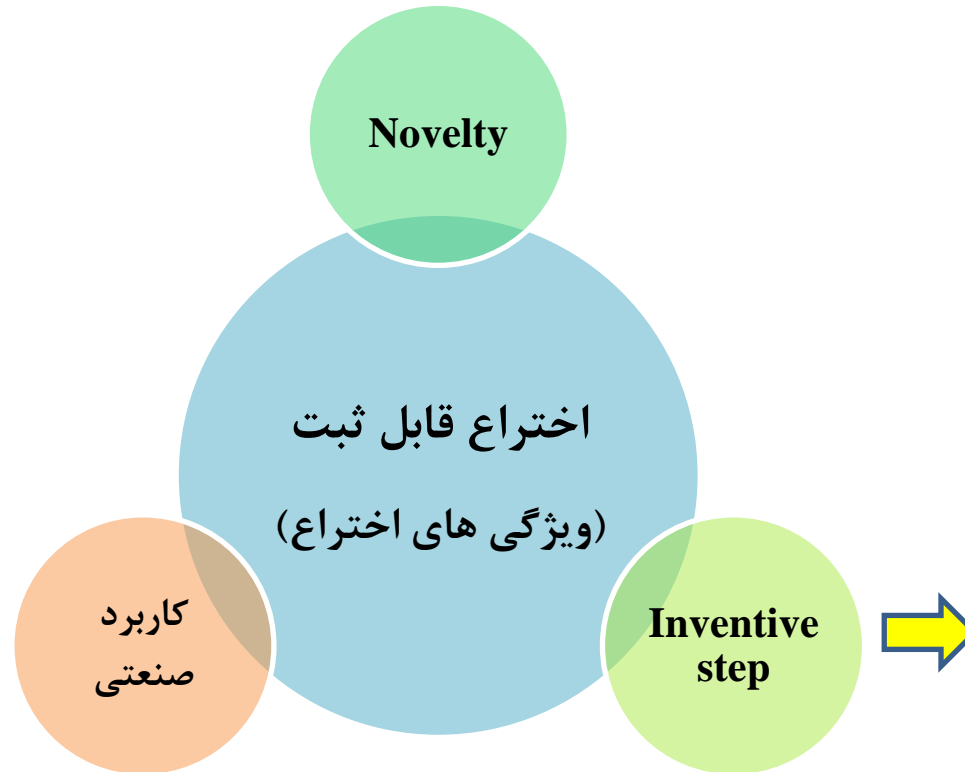
موضوع: جستجوی ثبت اختراع



# مفاهیم

## اختراع (Invention):

اختراع نتیجه فکر یک یا چند فرد است که برای اولین بار یک **فرایند** یا **محصول** جدیدی را ارائه می کنند و مشکلی را در یک حرفه، فن، فناوری، صنعت و مانند آن حل می نماید.



گام ابتکاری داشته باشد:  
ترکیب ساده ای از دو  
اختراع نباشد.

# مفاهیم

گواهی نامه اختراع (**Patent**):

سندی است که متضمن گواهی ثبت اختراع و حقوق انحصاری ناشی از آن است.

مالکیت معنوی (**Intellectual property**):

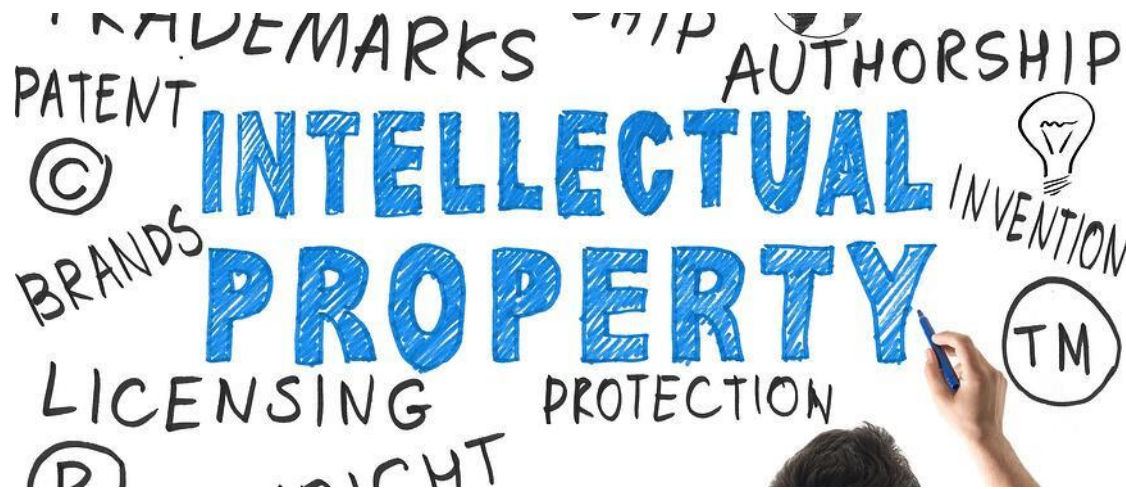
مفهوم مالکیت معنوی فراتر از اختراع است و شامل انواع خلاقیت های ذهنی می شود مانند:

✓ اختراعات

✓ آثار هنری

✓ آثار ادبی

✓ نمادها و نشان های تجاری (LEGOS and brands)



# کاربردهای جستجوی پتنت

بررسی novelty یک اختراع و یک ایده:  
جلوگیری از ضرر و زیان های مالی و زمانی

هنگام خریداری یک شرکت با یک محصول دارای پتنت:  
✓ بررسی مدت زمانی که یک محصول تحت حفاظت پتنت (Patent protection) است:  
دوره حفاظت پتنت ۲۰ سال است  
✓ بررسی حدود و ثغور محصول

هنگام سرمایه گذاری در استارتاپ ها و شرکت های نوپا:  
✓ تکنولوژی استارتاپ در داخل کشور نباید پتنت شده باشد.  
✓ اما اگر تکنولوژی یک استارتاپ در خارج از کشور پتنت شد باشد یک مزیت است:  
نشان دهنده به روز بودن تکنولوژی است.

هنگام داوری پتنت:

لازم است novelty اختراع را بررسی کنیم.

نتیجه:

کسب مهارت جستجوی پتنت الزامی است.

# ساختار پتنت های بین المللی:

- US patent
- European patent



1. Cover page
2. Drawing sheets
3. Description

## INID:

Internationally agreed numbers for the identification of data

INID



### (12) United States Patent McCoskery



US009914063B1

(10) Patent No.: **US 9,914,063 B1**  
(45) Date of Patent: **Mar. 13, 2018**

(54) **TOY DESIGNED TO SPIN IN A USER'S HAND**

USPC ..... 473/569, 588; 446/233, 236, 250, 256  
See application file for complete search history.

(71) Applicant: **Michael Scott McCoskery**, Suquamish, WA (US)

(56) **References Cited**

(72) Inventor: **Michael Scott McCoskery**, Suquamish, WA (US)

U.S. PATENT DOCUMENTS

(73) Assignee: **MD INTELLECTUAL HOLDINGS LLC**, Bainbridge Island, WA (US)

(\*) Notice: Subject to any disclaimer, the term of this patent is extended or adjusted under 35 U.S.C. 154(b) by 0 days.

(21) Appl. No.: **15/592,894**

(22) Filed: **May 11, 2017**

#### Related U.S. Application Data

(60) Provisional application No. 62/334,879, filed on May 11, 2016.

(51) **Int. Cl.**  
*A63H 1/00* (2006.01)  
*A63B 67/14* (2006.01)  
*A63H 33/00* (2006.01)  
*A63H 29/08* (2006.01)  
*A63H 1/30* (2006.01)  
*A63F 9/16* (2006.01)

(52) **U.S. Cl.**  
CPC ..... *A63H 33/00* (2013.01); *A63B 67/14* (2013.01); *A63F 9/16* (2013.01); *A63H 1/00* (2013.01); *A63H 1/30* (2013.01); *A63H 29/08* (2013.01); *A63B 2067/146* (2013.01); *A63B 2208/12* (2013.01)

(58) **Field of Classification Search**  
CPC ..... A63B 67/14; A63B 2208/12; A63B 2067/146; A63H 1/00; A63H 1/30; A63F 9/16

476,825 A \* 6/1892 Schwartz ..... A63B 67/086 446/240  
547,764 A \* 10/1895 Boyum ..... A63F 9/16 273/147  
1,548,646 A \* 8/1925 Akeson ..... A44C 9/00 428/11  
2,454,492 A \* 11/1948 Turnbull ..... A63B 67/14 473/587  
2,564,053 A \* 8/1951 Donovan ..... A63H 1/00 446/40  
2,879,066 A \* 3/1959 Sutherland ..... A63F 9/16 273/147  
3,081,578 A \* 3/1963 Mosher ..... A63H 1/30 446/216  
3,206,210 A \* 9/1965 Bard ..... A63F 7/40 473/588  
3,287,846 A \* 11/1966 Frangos ..... A63H 1/00 446/235

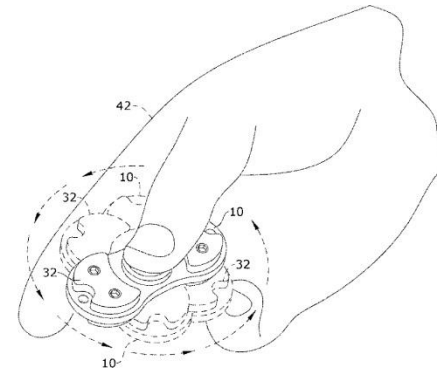
(Continued)

Primary Examiner — Alexander Niconovich  
(74) Attorney, Agent, or Firm — Plager Schack LLP

(57) **ABSTRACT**

A device designed to spin in a user's hands may include a body with a centrally mounted ball bearing positioned within a center orifice of the body, wherein an outer race of the ball bearing is attached to the frame; a button made of a pair of bearing caps attached to one another through the ball bearing and clamped against an inner race of the ball bearing, such that when the button is held between a user's thumb and finger, the body freely rotates about the ball bearing; and a plurality of weights distributed at opposite ends of the body, creating at least a bipolar weight distribution.

14 Claims, 4 Drawing Sheets



## ساختار پتنت های بین المللی:

- US patent
- European patent



1. Cover page
2. Drawing sheets
3. Description



US009914063B1

➔ (12) **United States Patent**  
McCoskery

➔ (10) **Patent No.:** US 9,914,063 B1  
➔ (45) **Date of Patent:** Mar. 13, 2018

انواع kind code:

**:A1**

اختراع در دست داوری است و هنوز پتنت نشده است.

**:B1**

اختراع پتنت شده است و درخواست ثبت اختراع پیشتر چاپ نشده است.

**:B2**

اختراع پتنت شده است و درخواست ثبت اختراع پیشتر چاپ شده است.

کد کشور اعطا کننده

Unique identifier

Kind code;  
Status code

## ساختار پتنت های بین المللی:

- US patent
- European patent



### 1. Cover page

2. Drawing sheets

3. Description

➡ (54) **TOY DESIGNED TO SPIN IN A USER'S HAND**

➡ (71) Applicant: **Michael Scott McCoskery**, Suquamish, WA (US)

➡ (72) Inventor: **Michael Scott McCoskery**, Suquamish, WA (US)

➡ (73) Assignee: **MD INTELLECTUAL HOLDINGS LLC**, Bainbridge Island, WA (US)

(\*) Notice: Subject to any disclaimer, the term of this patent is extended or adjusted under 35 U.S.C. 154(b) by 0 days.

➡ (21) Appl. No.: **15/592,894**

➡ (22) Filed: **May 11, 2017**

### **Related U.S. Application Data**

➡ (60) Provisional application No. 62/334,879, filed on May 11, 2016.

ساختار پتنت های بین المللی:

- US patent
- European patent



1. Cover page

2. Drawing sheets

3. Description

51) **Int. Cl.** →

**IPC = International Patent Classification**

*A63H 1/00* (2006.01)

*A63B 67/14* (2006.01)

*A63H 33/00* (2006.01)

*A63H 29/08* (2006.01)

*A63H 1/30* (2006.01)

*A63F 9/16* (2006.01)

(52) **U.S. Cl.** →

**CPC = Cooperative Patent Classification**

CPC ..... *A63H 33/00* (2013.01); *A63B 67/14* (2013.01); *A63F 9/16* (2013.01); *A63H 1/00* (2013.01); *A63H 1/30* (2013.01); *A63H 29/08* (2013.01); *A63B 2067/146* (2013.01); *A63B 2208/12* (2013.01)

(58) **Field of Classification Search**

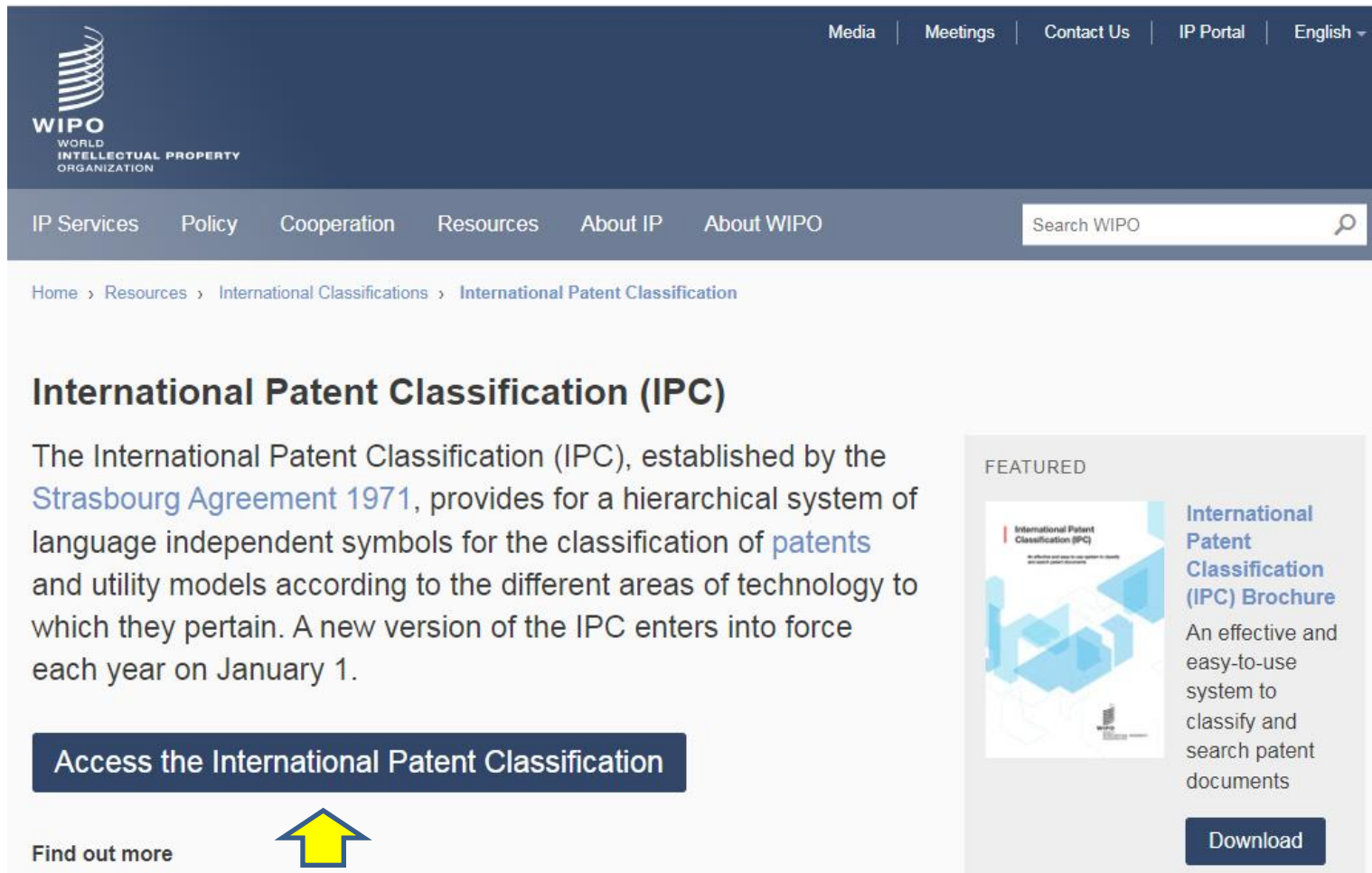
CPC ..... *A63B 67/14*; *A63B 2208/12*; *A63B 2067/146*; *A63H 1/00*; *A63H 1/30*; *A63F 9/16*

ساختار پتنت های بین المللی:

- US patent
- European patent

# WIPO: WORLD INTELLECTUAL PROPERTY ORGANIZATION

<https://www.wipo.int/classifications/ipc/en/>



The screenshot shows the WIPO website's International Patent Classification (IPC) page. At the top left is the WIPO logo. The top right navigation bar includes links for Media, Meetings, Contact Us, IP Portal, and English. Below this is a secondary navigation bar with links for IP Services, Policy, Cooperation, Resources, About IP, and About WIPO, along with a search bar labeled 'Search WIPO'. The main content area has a breadcrumb trail: Home > Resources > International Classifications > International Patent Classification. The title 'International Patent Classification (IPC)' is prominently displayed. The text explains that the IPC, established by the Strasbourg Agreement 1971, provides a hierarchical system of language-independent symbols for classifying patents and utility models. A featured section on the right promotes the 'International Patent Classification (IPC) Brochure', describing it as an effective and easy-to-use system for classifying and searching patent documents, with a 'Download' button.

WIPO  
WORLD  
INTELLECTUAL PROPERTY  
ORGANIZATION

Media | Meetings | Contact Us | IP Portal | English ▾

IP Services | Policy | Cooperation | Resources | About IP | About WIPO


Search WIPO 🔍

Home > Resources > International Classifications > International Patent Classification


## International Patent Classification (IPC)

The International Patent Classification (IPC), established by the [Strasbourg Agreement 1971](#), provides for a hierarchical system of language independent symbols for the classification of [patents](#) and utility models according to the different areas of technology to which they pertain. A new version of the IPC enters into force each year on January 1.

[Access the International Patent Classification](#)

Find out more 

FEATURED




**International Patent Classification (IPC) Brochure**

An effective and easy-to-use system to classify and search patent documents










[Download](#)

## ساختار پتنت های بین المللی:

- US patent
- European patent

IPC Publication HELP  ENGLISH LOGIN **WIPO**

Scheme **RCL** [Compilation](#) [Catchwords](#) [Search](#)

 	<b>A</b>	<b>HUMAN NECESSITIES</b>
	<b>B</b>	<b>PERFORMING OPERATIONS; TRANSPORTING</b>
	<b>C</b>	<b>CHEMISTRY; METALLURGY</b>
	<b>D</b>	<b>TEXTILES; PAPER</b>
	<b>E</b>	<b>FIXED CONSTRUCTIONS</b>
	<b>F</b>	<b>MECHANICAL ENGINEERING; LIGHTING; HEATING; WEAPONS; BLASTING</b>
	<b>G</b>	<b>PHYSICS</b>
	<b>H</b>	<b>ELECTRICITY</b>

## ساختار پتنت های بین المللی:

- US patent
- European patent

-	A	HUMAN NECESSITIES
		➡ AGRICULTURE
+	A01	AGRICULTURE; FORESTRY; ANIMAL HUSBANDRY; HUNTING; TRAPPING; FISHING
		➡ FOODSTUFFS; TOBACCO
+	A21	BAKING; EQUIPMENT FOR MAKING OR PROCESSING DOUGHS; DOUGHS FOR BAKING [2006.01]
+	A22	BUTCHERING; MEAT TREATMENT; PROCESSING POULTRY OR FISH
+	A23	FOODS OR FOODSTUFFS; TREATMENT THEREOF, NOT COVERED BY OTHER CLASSES
+	A24	TOBACCO; CIGARS; CIGARETTES; SIMULATED SMOKING DEVICES; SMOKERS' REQUISITES
		➡ PERSONAL OR DOMESTIC ARTICLES
+	A41	WEARING APPAREL
+	A42	HEADWEAR
+	A43	FOOTWEAR
+	A44	HABERDASHERY; JEWELLERY
+	A45	HAND OR TRAVELLING ARTICLES
+	A46	BRUSHWARE
+	A47	FURNITURE; DOMESTIC ARTICLES OR APPLIANCES; COFFEE MILLS; SPICE MILLS; SUCTION CLEANERS IN GENERAL
		➡ HEALTH; LIFE-SAVING; AMUSEMENT
➡ +	A61	MEDICAL OR VETERINARY SCIENCE; HYGIENE
+	A62	LIFE-SAVING; FIRE-FIGHTING
+	A63	SPORTS; GAMES; AMUSEMENTS
+	A99	SUBJECT MATTER NOT OTHERWISE PROVIDED FOR IN THIS SECTION [2006.01]

## ساختار پتنت های بین المللی:

- US patent
- European patent

### HEALTH; LIFE-SAVING; AMUSEMENT

-	A61	MEDICAL OR VETERINARY SCIENCE; HYGIENE
+	A61B	DIAGNOSIS; SURGERY; IDENTIFICATION (analysing biological material G01N, e.g. G01N 33/48)
+	A61C	DENTISTRY; APPARATUS OR METHODS FOR ORAL OR DENTAL HYGIENE (non-driven toothbrushes A46B; preparations for dentistry A61K 6/00; preparations for cleaning A61K 8/00, A61Q 11/00)
+	A61D	VETERINARY INSTRUMENTS, IMPLEMENTS, TOOLS, OR METHODS
+	A61F	FILTERS IMPLANTABLE INTO BLOOD VESSELS; PROSTHESES; DEVICES PROVIDING PATENCY TO, OR PREVENTING COLLAPSING OF, TUBULAR STRUCTURES OF THE BODY, e.g. STENTS; ORTHOPAEDIC, NURSING OR CONTRACEPTIVE DEVICES; FOMENTATION; TREATMENT OR PROTECTION OF EYES OR EARS; BANDAGES, DRESSINGS, ABSORBENT PADS; FIRST-AID KITS (dental prosthetics A61C) [2006.01]
+	A61G	TRANSPORT, PERSONAL CONVEYANCES, OR ACCOMMODATION SPECIALLY ADAPTED FOR PATIENTS OR DISABLED PERSONS (appliances for aiding patients or disabled persons to walk A61H 3/00); OPERATING TABLES OR CHAIRS; CHAIRS FOR DENTISTRY; FUNERAL DEVICES (embalming corpses A01N 1/00)
+	A61H	PHYSICAL THERAPY APPARATUS, e.g. DEVICES FOR LOCATING OR STIMULATING REFLEX POINTS IN THE BODY; ARTIFICIAL RESPIRATION; MASSAGE; DEVICES FOR SPECIAL THERAPEUTIC OR HYGIENIC PURPOSES OR SPECIFIC PARTS OF THE BODY (electrotherapy, magnetotherapy, radiation therapy, ultrasound A61N 1/00)
+	A61J	CONTAINERS SPECIALLY ADAPTED FOR MEDICAL OR PHARMACEUTICAL PURPOSES; DEVICES OR METHODS SPECIALLY ADAPTED FOR BRINGING PHARMACEUTICAL PRODUCTS INTO PARTICULAR PHYSICAL OR ADMINISTERING FORMS; DEVICES FOR ADMINISTERING FOOD OR MEDICINES ORALLY; BABY COMFORTERS; DEVICES FOR RECEIVING SPITTLE
+	A61K	PREPARATIONS FOR MEDICAL, DENTAL, OR TOILET PURPOSES (devices or methods specially adapted for bringing pharmaceutical products into particular physical or chemical forms A61J 3/00; chemical aspects of, or use of, pharmaceuticals for deodorisation of air, for disinfection or sterilisation, or for bandages, dressings, absorbent pads or surgical articles A61L; soap A61D 19/00)
+	A61L	METHODS OR APPARATUS FOR STERILISING MATERIALS OR OBJECTS IN GENERAL; DISINFECTION, STERILISATION, OR DEODORISATION OF AIR; CHEMICAL ASPECTS OF BANDAGES, DRESSINGS, ABSORBENT PADS, OR SURGICAL ARTICLES; MATERIALS FOR BANDAGES, DRESSINGS, ABSORBENT PADS, OR SURGICAL ARTICLES (preservation of bodies or disinfecting characterised by the agent employed A01N; preserving, e.g. sterilising, food or foodstuffs A23; preparations for medical, dental or toilet purposes A61K)
+	A61M	DEVICES FOR INTRODUCING MEDIA INTO, OR ONTO, THE BODY (introducing media into or onto the bodies of animals A61D 7/00; means for inserting tampons A61F 13/00; administering food or medicines orally A61J; containers for collecting, storing or administering blood or medical fluids A61J 1/05); DEVICES FOR TRANSDUCING BODY MEDIA FROM THE BODY (surgery A61B; chemical aspects of surgical articles A61L; magnetotherapy using magnetic elements placed within the body A61N 2/10); DEVICES FOR ENDING SLEEP OR STUPOR [5]
+	A61N	ELECTROTHERAPY; MAGNETOTHERAPY; RADIATION THERAPY; ULTRASOUND THERAPY (measurement of bioelectric currents A61B; surgical instruments, devices or apparatuses for transferring non-mechanical forms of energy to or from the body A61B 18/00; anaesthetic apparatus in general A61M; incandescent lamps H01K; infra-red radiators for heating H05B)
+	A61P	SPECIFIC THERAPEUTIC ACTIVITY OF CHEMICAL COMPOUNDS OR MEDICINAL PREPARATIONS [7]

## ساختار پتنت های بین المللی:

- US patent
- European patent



(56)

## References Cited

### U.S. PATENT DOCUMENTS

476,825	A *	6/1892	Schwartz	.....	A63B 67/086 446/240
547,764	A *	10/1895	Boyum	.....	A63F 9/16 273/147
1,548,646	A *	8/1925	Akeson	.....	A44C 9/00 428/11
2,454,492	A *	11/1948	Turnbull	.....	A63B 67/14 473/587
2,564,053	A *	8/1951	Donovan	.....	A63H 1/00 446/40
2,879,066	A *	3/1959	Sutherland	.....	A63F 9/16 273/147
3,081,578	A *	3/1963	Mosher	.....	A63H 1/30 446/216
3,206,210	A *	9/1965	Bard	.....	A63F 7/40 473/588
3,287,846	A *	11/1966	Frangos	.....	A63H 1/00 446/235

(Continued)

*Primary Examiner* — Alexander Niconovich

(74) *Attorney, Agent, or Firm* — Plager Schack LLP



(57)

## ABSTRACT

A device designed to spin in a user's hands may include a body with a centrally mounted ball bearing positioned within a center orifice of the body, wherein an outer race of the ball bearing is attached to the frame; a button made of a pair of bearing caps attached to one another through the ball bearing and clamped against an inner race of the ball bearing, such that when the button is held between a user's thumb and finger, the body freely rotates about the ball bearing; and a plurality of weights distributed at opposite ends of the body, creating at least a bipolar weight distribution.



1. Cover page
2. Drawing sheets
3. Description

ساختار فیزیکی اختراع خیلی  
مختصر و کلی شرح داده می شود.

## ساختار پتنت های بین المللی:

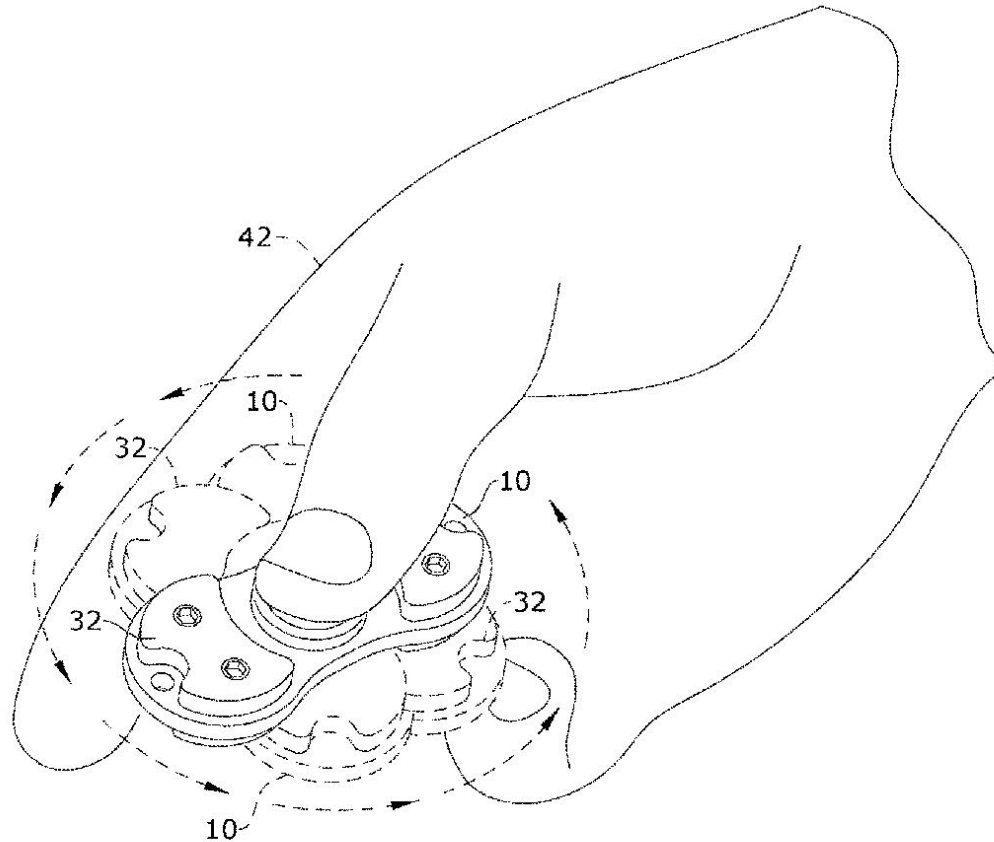
- US patent
- European patent



1. Cover page
2. Drawing sheets
3. Description

## Representative picture:

آخرین قسمت از Cover page است.



## ساختار پتنت های بین المللی:

- US patent
- European patent

1. Cover page

➔ 2. Drawing sheets

3. Description

تصاویر واضح و گویا از جزئیات پتنت لازم است.  
با نرم افزار رسم شده باشند.  
سیاه و سفید باشند.  
بر روی تصاویر نباید نوشته ای باشد.  
تصاویر شماره گذاری شوند.

U.S. Patent

Mar. 13, 2018

Sheet 1 of 4

US 9,914,063 B1

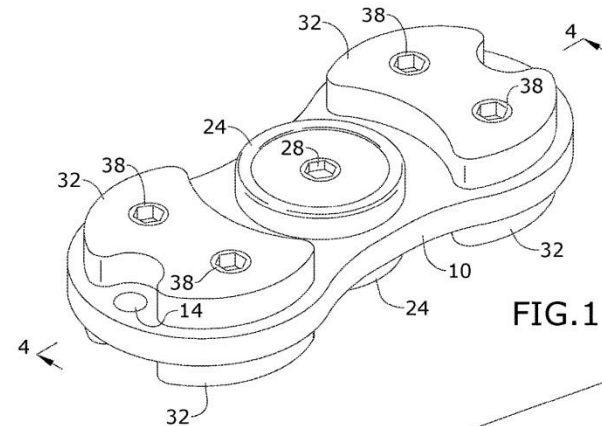


FIG. 1

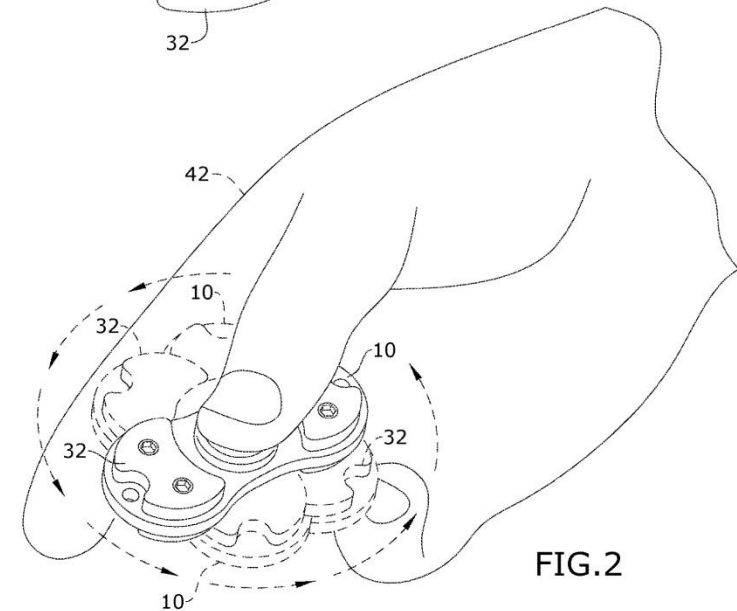


FIG. 2

# ساختار پتنت های بین المللی:

- US patent
- European patent

1. Cover page

➔ 2. Drawing sheets

3. Description

U.S. Patent

Mar. 13, 2018

Sheet 2 of 4

US 9,914,063 B1

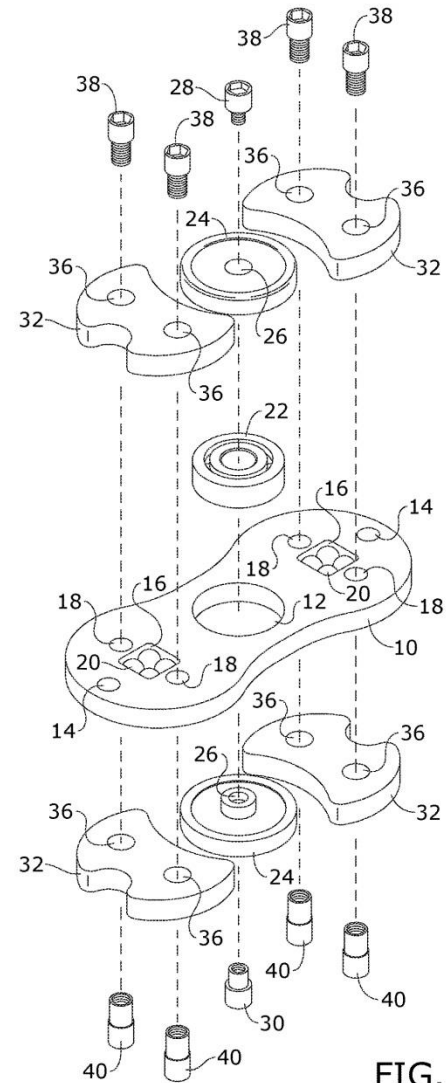


FIG.3

# ساختار پتنت های بین المللی:

- US patent
- European patent

U.S. Patent

Mar. 13, 2018

Sheet 3 of 4

US 9,914,063 B1

1. Cover page

➔ 2. Drawing sheets

3. Description

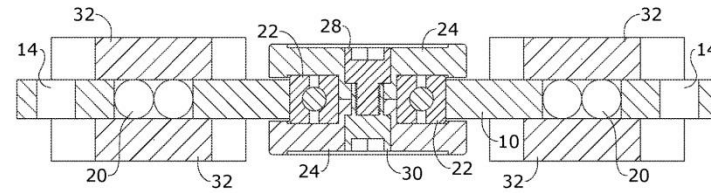


FIG. 4

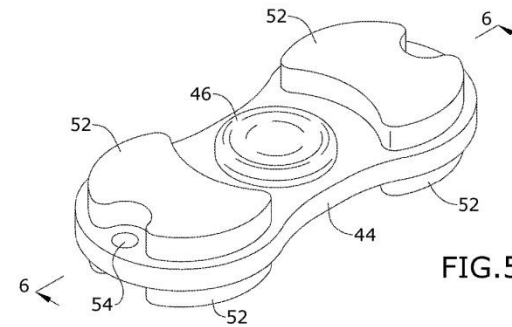


FIG. 5

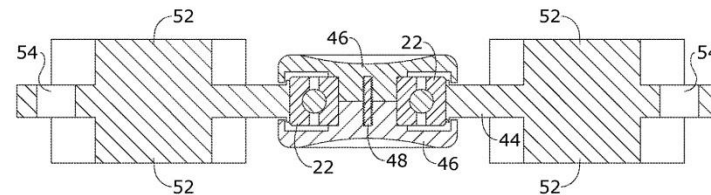


FIG. 6

# ساختار پتنت های بین المللی:

- US patent
- European patent

U.S. Patent

Mar. 13, 2018

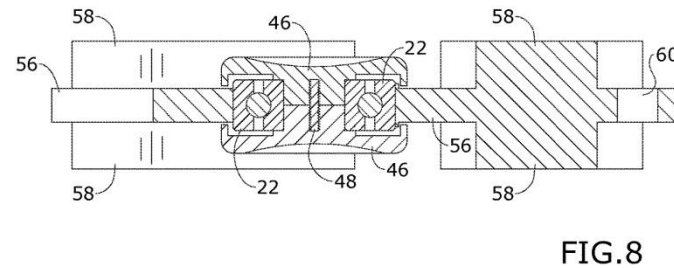
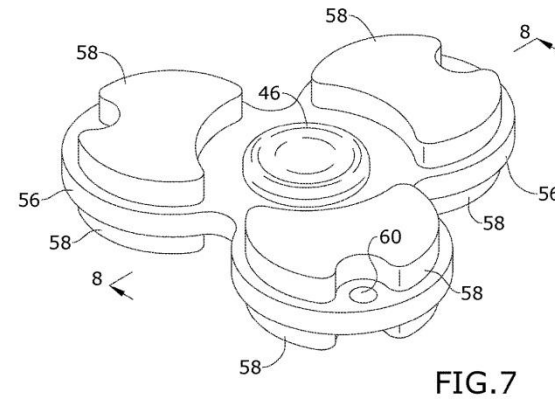
Sheet 4 of 4

US 9,914,063 B1

1. Cover page

➔ 2. Drawing sheets

3. Description



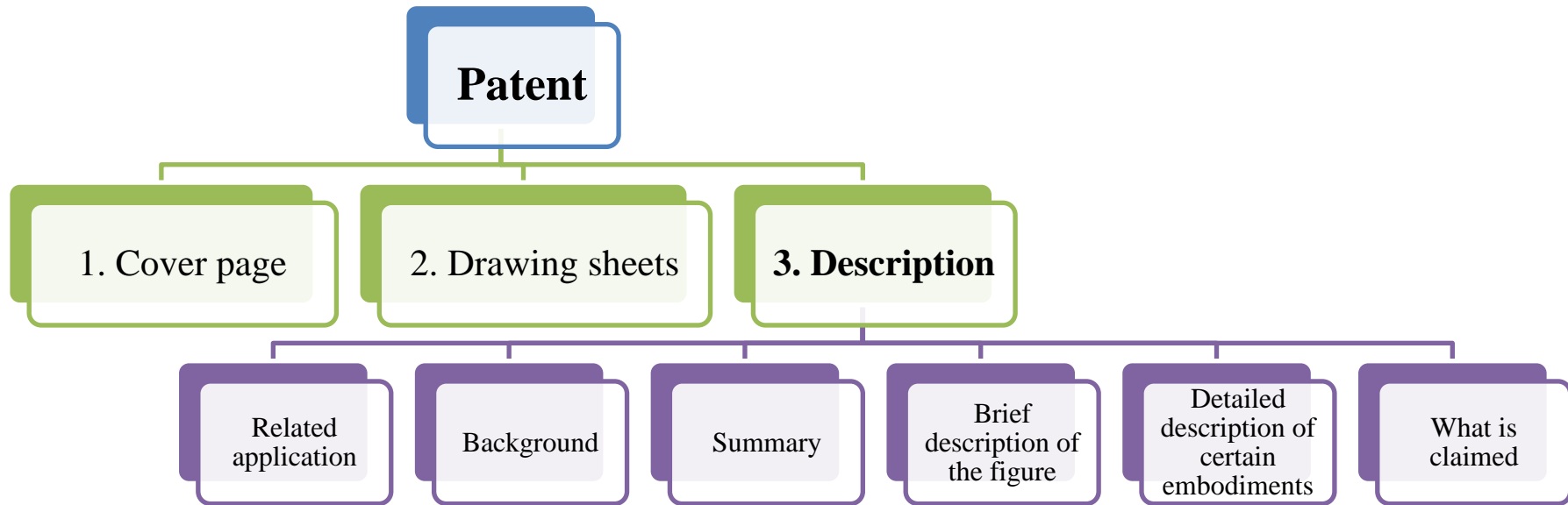
## ساختار پتنت های بین المللی:

- US patent
- European patent

1. Cover page
2. Drawing sheets

### ➔ 3. Description

توضیحات دقیق، تکمیلی با جزئیات بیشتر در مورد پتنت.



## ساختار پتنت های بین المللی:

- US patent
- European patent

1. Cover page

2. Drawing sheets

 **3. Description**

1

## TOY DESIGNED TO SPIN IN A USER'S HAND



### RELATED APPLICATION

This application claims priority to provisional patent application U.S. Ser. No. 62/334,879 filed on May 11, 2016 entire contents of which is herein incorporated by reference.



### BACKGROUND

The embodiments herein relate generally to toys, and more particularly, to a fidget toy or cessation device configured to spin in a user's hands.

Many people like to keep their hands busy by playing with coins, pens, lighters, knives, fidget toys, or the like. Flipping and spinning things around in one's hand may be a calming activity, and many people use these types of devices as cessation devices or to relieve anxiety. Alternatively, some people enjoy using the devices solely for fun.

Therefore, what is needed is a fidget toy designed to be spun between a user's fingers.



### SUMMARY

Some embodiments of the present disclosure include a device designed to spin in a user's hands. The device may comprise a body with a centrally mounted ball bearing positioned within a center orifice of the body, wherein an outer race of the ball bearing is attached to the frame; a button made of a pair of bearing caps attached to one another through the ball bearing and clamped against an inner race of the ball bearing, such that when the button is held between a user's thumb and finger, the body freely rotates about the ball bearing; and a plurality of weights distributed at opposite ends of the body, creating at least a bipolar weight distribution

## ساختار پتنت های بین المللی:

- US patent
- European patent

1. Cover page
2. Drawing sheets
- ➔ **3. Description**



### BRIEF DESCRIPTION OF THE FIGURES

The detailed description of some embodiments of the invention is made below with reference to the accompanying figures, wherein like numerals represent corresponding parts of the figures.



FIG. 1 is a perspective view of one embodiment of the present disclosure.

FIG. 2 is a perspective view of one embodiment of the present disclosure.

FIG. 3 is an exploded view of one embodiment of the present disclosure.

FIG. 4 is a section view of one embodiment of the present disclosure, taken along line 4-4 in FIG. 1.

FIG. 5 is a perspective view of one embodiment of the present disclosure.

FIG. 6 is a section view of one embodiment of the present disclosure, taken along line 6-6 in FIG. 5.

FIG. 7 is a perspective view of one embodiment of the present disclosure.

FIG. 8 is a section view of one embodiment of the present disclosure, taken along line 8-8 in FIG. 7.

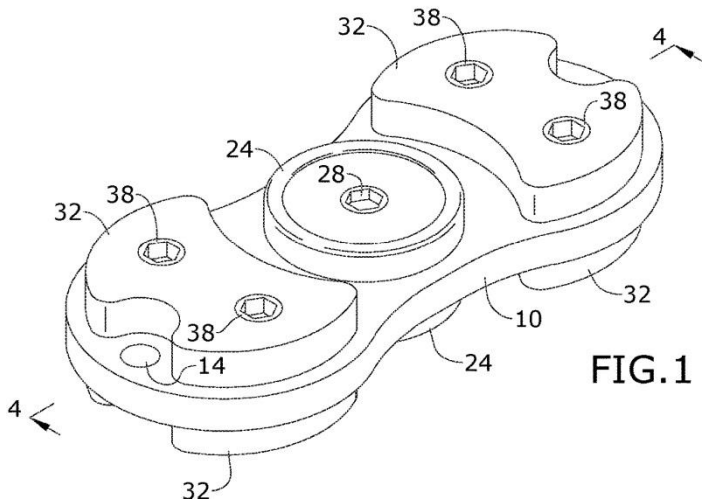


FIG. 1

- US patent
- European patent

1. Cover page
2. Drawing sheets
- ➔ 3. Description



#### DETAILED DESCRIPTION OF CERTAIN EMBODIMENTS

In the following detailed description of the invention, numerous details, examples, and embodiments of the invention are described. However, it will be clear and apparent to

one skilled in the art that the invention is not limited to the embodiments set forth and that the invention can be adapted for any of several applications.

The device of the present disclosure may be used as a fidget toy or a cessation device and may comprise the following elements. This list of possible constituent elements is intended to be exemplary only, and it is not intended that this list be used to limit the device of the present application to just these elements. Persons having ordinary skill in the art relevant to the present disclosure may understand there to be equivalent elements that may be substituted within the present disclosure without changing the essential function or operation of the device.

1. Body
2. Ball Bearing
3. Bearing Cap
4. Weights
5. Balancing Mass

The various elements of the device of the present disclosure may be related in the following exemplary fashion. It is not intended to limit the scope or nature of the relationships between the various elements and the following examples are presented as illustrative examples only.

By way of example, and referring to FIGS. 1-6, some embodiments of the present disclosure include a device designed to spin in a user's hands, the device comprising a body **10** with a centrally mounted ball bearing **22** positioned within a center orifice **12**, wherein an outer race of the ball bearing **22** is attached to the frame **10**; a button comprising a pair of bearing caps **24** attached to one another through the ball bearing **22** and clamped against an inner race of the ball bearing **22**, such that when the button is held between a user's thumb and finger, the body **10** freely rotates about the ball bearing **22**; and a plurality of weights distributed at opposite ends of the body **10**, creating at least a bipolar weight distribution, which may increase inertia to give the device balance and the ability to spin for a lengthened period of time.

## ساختار پتنت های بین المللی:

- US patent
- European patent

1. Cover page

2. Drawing sheets

➔ 3. Description

### در ادعا نامه:

روش ها و تکنیک های جدید Bold می شوند.  
قطعات و ابزارهای نوآورانه و ابتکاری Bold می شوند.

### ادعا نامه پشتوانه حقوقی پتنت است:

با استناد به ادعا نامه میتوان از افرادی که از ویژگی های فنی پتنت استفاده کرده اند شکایت کرد.

➔ What is claimed is:

1. A device designed to spin in a user's hands, the device comprising:
  - a planar body with a centrally mounted ball bearing positioned within a center orifice of the planar body, wherein an outer race of the ball bearing is attached to the planar body;

4

- a button comprising a pair of bearing caps attached to one another through the ball bearing and clamped against an inner race of the ball bearing, such that when the button is held between a user's thumb and finger, the planar body freely rotates about the ball bearing; and a plurality of weights distributed at opposite ends of the planar body, creating at least a bipolar weight distribution.
2. The device of claim 1, wherein the planar body has a rounded hour glass shape with a bipolar weight distribution.
3. The device of claim 1, wherein:
  - the plurality of weights comprises two weights sandwiching each end of the planar body;
  - each weight comprises at least one weight orifice;
  - the planar body comprises at least one weight mounting orifice on each end designed to align with the at least one weight orifice in each weight; and
  - a fastener extends through a first weight, through the at least one weight mounting orifice, and the second weight to attach the first weight and the second weight to the planar body.
4. The device of claim 3, wherein the fastener comprises a female threaded bolt designed to engage with a male threaded screw.
5. The device of claim 3, further comprising a slot in each end of the planar body sized to accommodate at least one balancing mass, wherein the slot is positioned between the two weights sandwiching each end.
6. The device of claim 1, wherein:
  - the pair of bearing caps comprises a first bearing cap and a second bearing cap;
  - the first bearing cap comprises a first bearing cap orifice and the second bearing cap comprises a second bearing cap orifice;
  - a center bearing screw extends through the first bearing cap, through the first bearing cap orifice and into the center orifice; and
  - a center bearing bolt extends through the second bearing cap, through the second bearing cap orifice, and into the center orifice to engage with the center bearing screw.

# جستجوی ثبت اختراع (Patent Search)

<https://patentscope.wipo.int/search/en/search.jsf>

The screenshot shows the WIPO Patentscope search interface. At the top, there is a navigation bar with the WIPO IP Portal logo, a menu, the word 'PATENTSCOPE', and links for HELP, ENGLISH, LOGIN, and the WIPO logo. Below this is a secondary navigation bar with links for Feedback, Search, Browse, Tools, and Settings. The main heading is 'SIMPLE SEARCH'. A text box provides information about the search capabilities, mentioning 108 million patent documents and 4.5 million PCT applications, with links for detailed coverage information, PCT publication updates, and new features. Below this is a search input field with a dropdown menu for 'Field' (currently set to 'Front Page') and a search button. A 'Query Examples' link is located at the bottom right of the search area.

WIPO - Search International and x +

patentscope.wipo.int/search/en/search.jsf

WIPO IP PORTAL MENU PATENTSCOPE HELP ENGLISH LOGIN WIPO

Feedback Search Browse Tools Settings

## SIMPLE SEARCH

Using PATENTSCOPE you can search 108 million patent documents including 4.5 million published international patent applications (PCT). [Detailed coverage information](#)

PCT publication 50/2022 [15.12.2022] is now available [here](#). The next PCT publication 51/2022 is scheduled for 22.12.2022. [More](#)

Check out the [new PATENTSCOPE features](#): CPC, NPL, Families ...

[Search Facility to Support COVID-19 Innovation Efforts](#)

Field  
Front Page

Search terms...

Query Examples

